



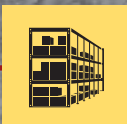
**STRONG PARTNERS.
TOUGH TRUCKS.™**



SUPER COMPACT PALLET TRUCKS

PSC1.2

1200 KG

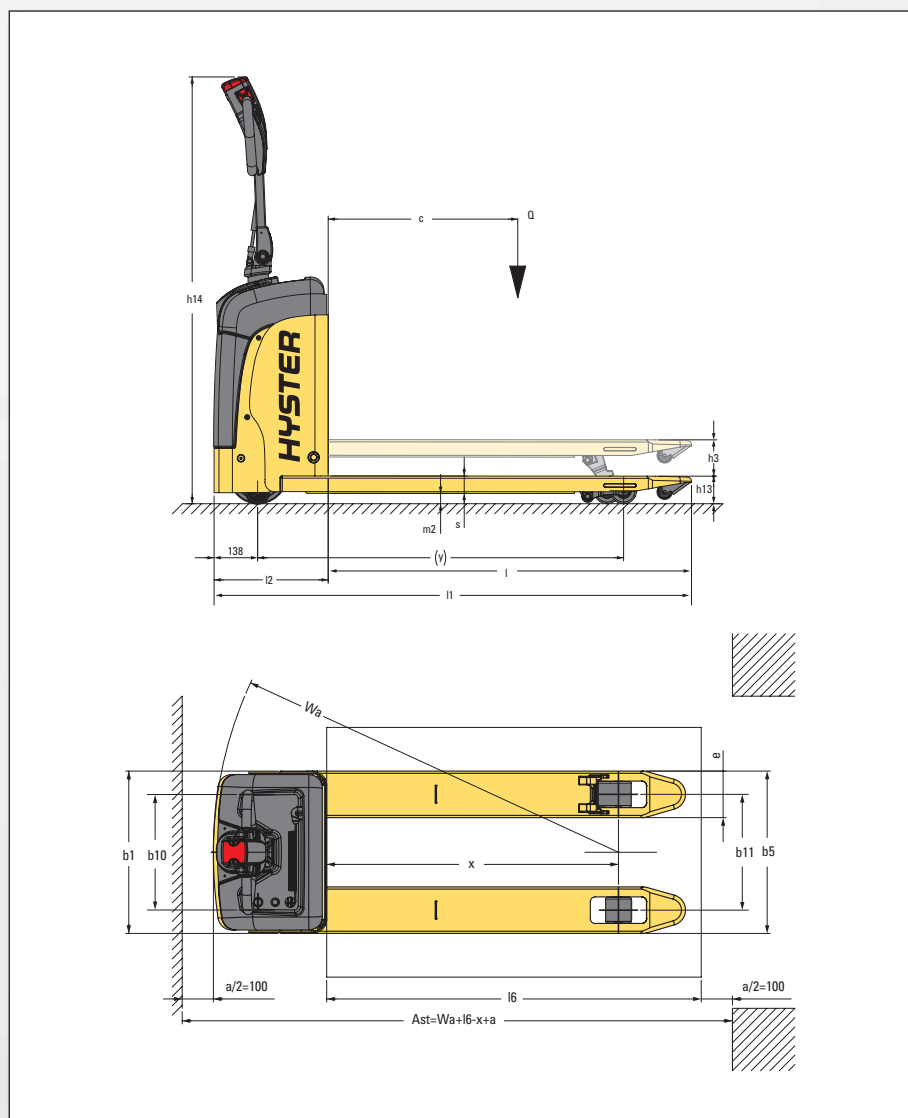


PSC1.2

DISTINGUISHING MARK	HYSTER		DISTINGUISHING MARK	
1.1	Manufacturer (abbreviation)	1.1		
1.2	Manufacturer's type designation	PSC1.2	1.2	
1.3	Drive: electric (battery or mains), diesel, petrol, fuel gas	Electric (battery)	1.3	
1.4	Operator type: hand, pedestrian, standing, seated, order-picker	Pedestrian	1.4	
1.5	Rated capacity/Rated load Q (t)	1.2	1.5	
1.6	Load centre distance c (mm)	600	1.6	
1.8	Load distance, centre of drive axle to fork x (mm)	886	1.8	
1.9	Wheelbase y (mm)	1119	1.9	
WEIGHT	2.1	Service weight kg	153 - 155	2.1
	2.2	Axle loading, laden front/rear kg	438 910	2.2
	2.3	Axle loading, unladen front/rear kg	114 31	2.3
TYRES/CHASSIS	3.1	Tyres: solid rubber, superelastic, pneumatic, polyurethane front/rear	Solid rubber / Polyurethane	3.1
	3.2	Tyre size, front ø (mm x mm)	186 x 50	3.2
	3.3	Tyre size, rear ø (mm x mm)	82 x 60	3.3
	3.4	Additional wheels (dimensions) ø (mm x mm)	75 x 25	3.4
	3.5	Wheels, number front/rear (x = driven wheels)	1x + 2 / 2	3.5
	3.6	Tread, front b ₁₀ (mm)	369	3.6
	3.7	Tread, rear b ₁₁ (mm)	371	3.7
DIMENSIONS	4.4	Lift h ₃ (mm)	200	4.4
	4.9	Height of tiller arm in driving position min./max. h ₁₄ (mm)	885 1345	4.9
	4.15	Height, lowered h ₁₃ (mm)	85	4.15
	4.19	Overall length (pedestrian) l ₁ (mm)	1510	4.19
	4.20	Length to face of forks (pedestrian) l ₂ (mm)	360	4.20
	4.21	Overall width b ₁ / b ₂ (mm)	520	4.21
	4.22	Fork dimensions DIN ISO 2331 s / e / l (mm)	55 150 1150	4.22
	4.25	Outside Fork Width b ₃ (mm)	520	4.25
	4.32	Ground clearance, centre of wheelbase m ₂ (mm)	30	4.32
	4.33	Load dimension b 12 x l 6 crossways b ₁₂ x l ₆ (mm)	1000 x 1200	4.33
	4.34.1	Aisle width for pallets 1000mm x 1200mm crossways (pedestrian) Ast (mm)	2079	4.34.1
	4.34.2	Aisle width for pallets 800mm x 1200mm lengthwise (pedestrian) Ast (mm)	1977	4.34.2
	4.35	Turning radius (pedestrian) Wa (mm)	1268	4.35
PERFORMANCE DATA	5.1	Travel speed, laden/unladen km/h	4.3 4.8	5.1
	5.1.1	Travel speed, laden/unladen, backwards km/h	4.3 4.8	5.1.1
	5.2	Lift speed, laden/unladen m/s	0.03 0.04	5.2
	5.3	Lowering speed, laden/unladen m/s	0.05 0.02	5.3
	5.8	Max. gradeability, laden/unladen %	10 25	5.8
	5.10	Service brake	Electric	5.10
ELECTRIC - ENGINE	6.1	Drive motor S2 60 minute rating kW	0.35	6.1
	6.2	Lift motor, S3 15% rating kW	0.4	6.2
	6.3	Battery according to DIN 43531/35/36 A,B,C, no	No	6.3
	6.4	Battery voltage/nominal capacity K _s (V)/(Ah)	24 / 50	6.4
	6.5	Battery weight kg	28	6.5
	6.6	Energy consumption according to VDI cycle kWh/h at number of cycles	0.28	6.6
DRIVE/LIFT MECHANISM	8.1	Type of drive unit	MOSFET	8.1
ADDITIONAL DATA	10.7	Sound pressure level at the driver's seat dB (A)	67	10.7

Specification data is based on VDI 2198

TRUCK DIMENSIONS



NOTE:

Specifications are affected by the condition of the vehicle and how it is equipped, as well as the nature and condition of the operating area. If these specifications are critical, the proposed application should be discussed with your dealer.

NOTICE

Care must be exercised when handling elevated loads. When the carriage and/or load is elevated, truck stability is reduced. It is important that mast tilt in either direction be kept to a minimum when loads are elevated. Operators must be trained and adhere to the instructions contained in the Operating Manual.

Hyster products are subject to change without notice. Lift trucks illustrated may feature optional equipment.

CE Safety:

This truck conforms to the current EU requirements.

PRODUCT FEATURES

DEPENDABILITY

- MOSFET DC Combi controller for traction and hydraulic controls.
- Battery discharge indicator.
- Welded fork construction makes them highly resistant to torsion and heavy loads.
- In case of collision components and batteries are protected with special designed cover.

PRODUCTIVITY

- Compact chassis design to improve accessibility.
- Operator-friendly tiller head controls for productive load handling.
- Standard anti-roll back system.
- Stabilizing wheels to maximize stability when turning.

- Single load wheels and exit/entry roller to optimize pallet handling.

ERGONOMICS

- Ergonomically tiller head designed for maximum operator comfort.
- Low effort controls ergonomically placed to reduce operator fatigue.
- Adjustable performance setting to suit specific operation conditions.
- Responsive butterfly switches control travel direction, speed and braking allow a smooth start, controlled braking and acceleration.
- Creep-speed function for manoeuvring in dense areas

COST OF OWNERSHIP

- On board charger for on-site recharge.
- Optimized battery packs to ensure maximum time of operation.
- Easy access to motor and key components to reduce downtime.

SERVICEABILITY

- Quick accessibility for exchange of batteries.
- Maintenance free sealed batteries.

STRONG PARTNERS. TOUGH TRUCKS.™

FOR DEMANDING OPERATIONS, EVERYWHERE.

Hyster supplies a complete range of warehouse equipment, IC and electric counterbalanced trucks, container handlers and reach stackers. Hyster is committed to being much more than a lift truck supplier.

Our aim is to offer a complete partnership capable of responding to the full spectrum of material handling issues: Whether you need professional consultancy on your fleet management, fully qualified service support, or reliable parts supply, you can depend on Hyster.

Our network of highly trained dealers provides expert, responsive local support. They can offer cost-effective finance packages and introduce effectively managed maintenance programmes to ensure that you get the best possible value. Our business is dealing with your material handling needs so you can focus on the success of your business today and in the future.



HYSTER EUROPE

Centennial House, Frimley Business Park, Frimley, Surrey, GU16 7SG, England.

Tel: +44 (0) 1276 538500



www.hyster.eu



infoeurope@hyster.com



[/HysterEurope](https://www.facebook.com/HysterEurope)




[@HysterEurope](https://twitter.com/HysterEurope)




[/HysterEurope](https://www.linkedin.com/company/HysterEurope)



HYSTER-YALE UK LIMITED trading as Hyster Europe. Registered Address: Centennial House, Building 4.5, Frimley Business Park, Frimley, Surrey, GU16 7SG, United Kingdom. Registered in England and Wales. Company Registration Number: 02636775.

HYSTER,  and FORTENS are registered trademarks in the European Union and certain other jurisdictions.

MONOTROL® is a registered trademark, and DURAMATCH and  are trademarks in the United States and in certain other jurisdictions.

Hyster products are subject to change without notice. Lift trucks illustrated may feature optional equipment.