



**STRONG PARTNERS.
TOUGH TRUCKS.™**



HEAVY DUTY PEDESTRIAN POWERED PALLET TRUCKS

P2.5 - 3.0

2 500 – 3 000 KG



P2.5, P3.0

DISTINGUISHING MARKS	1.1	Manufacturer (abbreviation)	
	1.2	Manufacturer's type designation	
	1.3	Drive: electric (battery or mains), diesel, petrol, fuel gas	
	1.4	Operator type: hand, pedestrian, stand-on, seated, order-picker	
	1.5	Rated capacity / Rated load	Q (t)
	1.6	Load centre distance	c (mm)
	1.8	Load distance, centre of drive axle to fork ❖	x (mm)
	1.9	Wheelbase ❖	y (mm)

WEIGHTS	2.1	Service weight ■	kg
	2.2	Axle loading, laden front/rear	kg
	2.3	Axle loading, unladen front/rear	kg

TYRES / CHASSIS	3.1	Tyres: polyurethane, tophane, vulkollan, front/rear	
	3.2	Tyre size, front	ø (mm x mm)
	3.3	Tyre size, rear	ø (mm x mm)
	3.4	Additional wheels (dimensions)	ø (mm x mm)
	3.5	Wheels, number front/rear (x = driven wheels)	
	3.6	Tread, front	b ₁₀ (mm)
	3.7	Tread, rear	b ₁₁ (mm)

DIMENSIONS	4.4	Lift	h ₃ (mm)
	4.9	Height drawbar in driving position min./max.	h ₁₄ (mm)
	4.15	Height, lowered	h ₁₃ (mm)
	4.19	Overall length	l ₁ (mm)
	4.20	Length to face of forks	l ₂ (mm)
	4.21	Overall width	b ₁ /b ₂ (mm)
	4.22	Fork dimensions DIN ISO 2331	s/e/l (mm)
	4.25	Distance between fork-arms	b ₂ (mm)
	4.32	Ground clearance, centre of wheelbase	m ₂ (mm)
	4.34.1	Aisle width for pallets 1000mm x 1200mm crossways ❖ ❖	AsT (mm)
	4.34.2	Aisle width for pallets 800mm x 1200mm lengthwise ❖ ❖	AsT (mm)
4.35	Turning radius ❖ ❖	Wa (mm)	

PERFORMANCE DATA	5.1	Travel speed, laden/unladen	km/h
	5.2	Lift speed, laden/unladen	m/s
	5.3	Lowering speed, laden/unladen	m/s
	5.8	Max. gradeability, laden/unladen	%
	5.10	Service brake	

ELECTRIC ENGINE	6.1	Drive motor S2 60 minute rating	kW
	6.2	Lift motor, S3 15% rating ▲	kW
	6.3	Battery according to DIN 43531/35/36 A,B,C, no	
	6.4	Battery voltage/nominal capacity K5 ▶	(V)/(Ah)
	6.5	Battery weight ■	kg
	6.6	Energy consumption according to VDI cycle	kWh/h at number of cycles

DRIVE/LIFT MECHANISM	8.1	Type of drive unit	
----------------------	-----	--------------------	--

ADDITIONAL DATA	10.7	Sound pressure level at the driver's seat	dB(A)
-----------------	------	---	-------

HYSTER		HYSTER	
P2.5		P3.0	
Electric (battery)		Electric (battery)	
Pedestrian		Pedestrian	
2.5		3.0	
600		600	
965		965	
1526		1526	

633		633	
1033	2100	1149	2484
475	158	479	154

Polyurethane / Vulkollan		Polyurethane / Vulkollan	
260 x 95		260 x 95	
85 x 90		85 x 90	
100 x 40		100 x 40	
1x+2	4	1x+2	4
488		488	
380		380	

120		120	
955	1240	955	1240
85		85	
1913		1913	
757		757	
736		736	
55	180	1156	55
560		560	
30		30	
2534		2534	
2397		2397	
1733		1733	

5,7	6	5,5	6
0,029	0,037	0,029	0,037
0,048	0,044	0,048	0,044
8	20	5	20
Electromagnetic		Electromagnetic	

2,6		2,6	
1,4		1,4	
no		no	
24	300	24	300
233		233	
0,47		0,50	

DC-Controller		DC-Controller	
---------------	--	---------------	--

< 70		< 70	
------	--	------	--

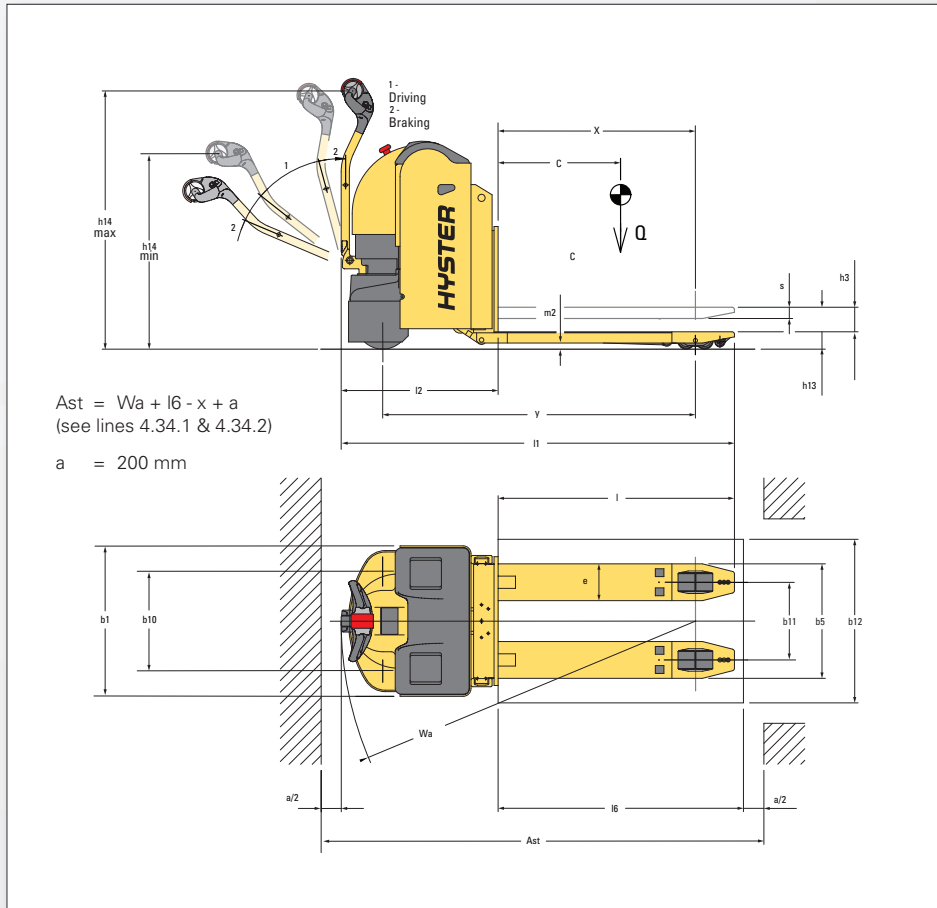
Specification data is based on VDI 2198

EQUIPMENT & WEIGHT: Weights (line 2.1) are based on the following specifications:
Complete truck with 180 mm wide forks, Polyurethane/Vulkollan driver and load wheels.

FORKS: P2.5 - P3.0: 55 x 180 x 1 156 mm long

FORK SPACING: Inside to inside: 200 mm. Outside to outside: 560 mm. Other fork lengths and widths are optional.

TRUCK DIMENSIONS



NOTE:

Specifications are affected by the condition of the vehicle and how it is equipped, as well as the nature and condition of the operating area. Inform your dealer of the nature and condition of the intended operating area when purchasing your Hyster Truck.

- These values may vary of +/- 5%
- ▲ Value referred to S3 6%
- ▶ Available battery 210/250Ah (DIN 43535 B Super). With battery 210/250Ah service weight -21kg
- ◇ Tiller in upright position
- ❖ With load section lifted: -71mm

NOTICE

Care must be exercised when handling elevated loads. When the carriage and/or load is elevated, truck stability is reduced. It is important that mast tilt in either direction be kept to a minimum when loads are elevated. Operators must be trained and must read, understand and follow the instructions contained in the Operating Manual.

Hyster products are subject to change without notice. Lift trucks illustrated may feature optional equipment.

All values are nominal values and they are subject to tolerances. For further information, please contact the manufacturer.

Values may vary with alternative configurations.

CE Safety:

This truck conforms to the current EU requirements.

PRODUCT FEATURES

DEPENDABILITY

- Durable frame construction, with integrated welded forks, ensures high truck rigidity, allowing the truck to handle heavy loads.
- The battery compartment features a reinforced bumper section, which protects the truck against collision.
- Heavy-duty, tandem load wheels and allow heavier loads to be transported.

PRODUCTIVITY

- Skid plate positioned at exit/entry rollers ensure a fast, smooth handling operation.
- Adjustable performance settings allow the truck to be configured to suit driver and application requirements.
- A choice of capacity, motor and battery sizes enables the truck to be correctly configured to match application needs.
- Compact chassis design improves manoeuvrability, enhancing driver productivity.
- The MOSFET high frequency Combi controller controls traction and hydraulics, allows progressive speed

control as well as delivering optimum energy efficiency.

- Powerful SEM traction motor provides superior performance and increased loads moved per hour.
- The optional on-board charger on allows the truck to be recharged everywhere.

ERGONOMICS

- Automatic braking control is adjustable according to the performance level chosen by the operator: Soft/Medium/Hard.
- Tiller head is ergonomically designed for maximum operator comfort, contributing to reduced operator fatigue.
- Dual lift/lower button controls allow operation by either hand to suit operator preference and comfort.
- Responsive butterfly switches control travel direction, speed and braking allow a smooth start, controlled braking and acceleration.
- Creep speed control button, allows the truck to be manoeuvred with the tiller arm in the vertical position, enabling the operator to work more effectively in confined spaces.

- Anti-roll back available as standard to prevent uncontrolled travel speed and roll back on ramps when loading or unloading.
- Tandem load wheels adjust to work surface for a smoother operation.

COST OF OWNERSHIP

- Power is transmitted via helicoidally gears, which are positioned in an oil bath, to reduce component wear and tear.
- Easy access to motor and key components reduces downtime.
- Extended Service intervals (12 months or 1 000 hours)
- Regenerative braking increases braking efficiency and reduces maintenance costs.

SERVICEABILITY

- On board diagnostic display provides early warning of maintenance requirements.
- Hour-meter and battery discharge indicator with lift interrupt as standard informs the operator of recharge requirement.

STRONG PARTNERS. TOUGH TRUCKS.™

FOR DEMANDING OPERATIONS, EVERYWHERE.

Hyster supplies a complete range of warehouse equipment, IC and electric counterbalanced trucks, container handlers and reach stackers. Hyster is committed to being much more than a lift truck supplier.

Our aim is to offer a complete partnership capable of responding to the full spectrum of material handling issues: Whether you need professional consultancy on your fleet management, fully qualified service support, or reliable parts supply, you can depend on Hyster.

Our network of highly trained dealers provides expert, responsive local support. They can offer cost-effective finance packages and introduce effectively managed maintenance programmes to ensure that you get the best possible value. Our business is dealing with your material handling needs so you can focus on the success of your business today and in the future.



HYSTER EUROPE

Centennial House, Frimley Business Park, Frimley, Surrey, GU16 7SG, England.

Tel: +44 (0) 1276 538500



www.hyster.eu



infoeurope@hyster.com



[/HysterEurope](https://www.facebook.com/HysterEurope)




[@HysterEurope](https://twitter.com/HysterEurope)




[/HysterEurope](https://www.linkedin.com/company/HysterEurope)



HYSTER-YALE UK LIMITED trading as Hyster Europe. Registered Address: Centennial House, Building 4.5, Frimley Business Park, Frimley, Surrey, GU16 7SG, United Kingdom. Registered in England and Wales. Company Registration Number: 02636775.

HYSTER,  and FORTENS are registered trademarks in the European Union and certain other jurisdictions.

MONOTROL® is a registered trademark, and DURAMATCH and  are trademarks in the United States and in certain other jurisdictions.

Hyster products are subject to change without notice. Lift trucks illustrated may feature optional equipment.